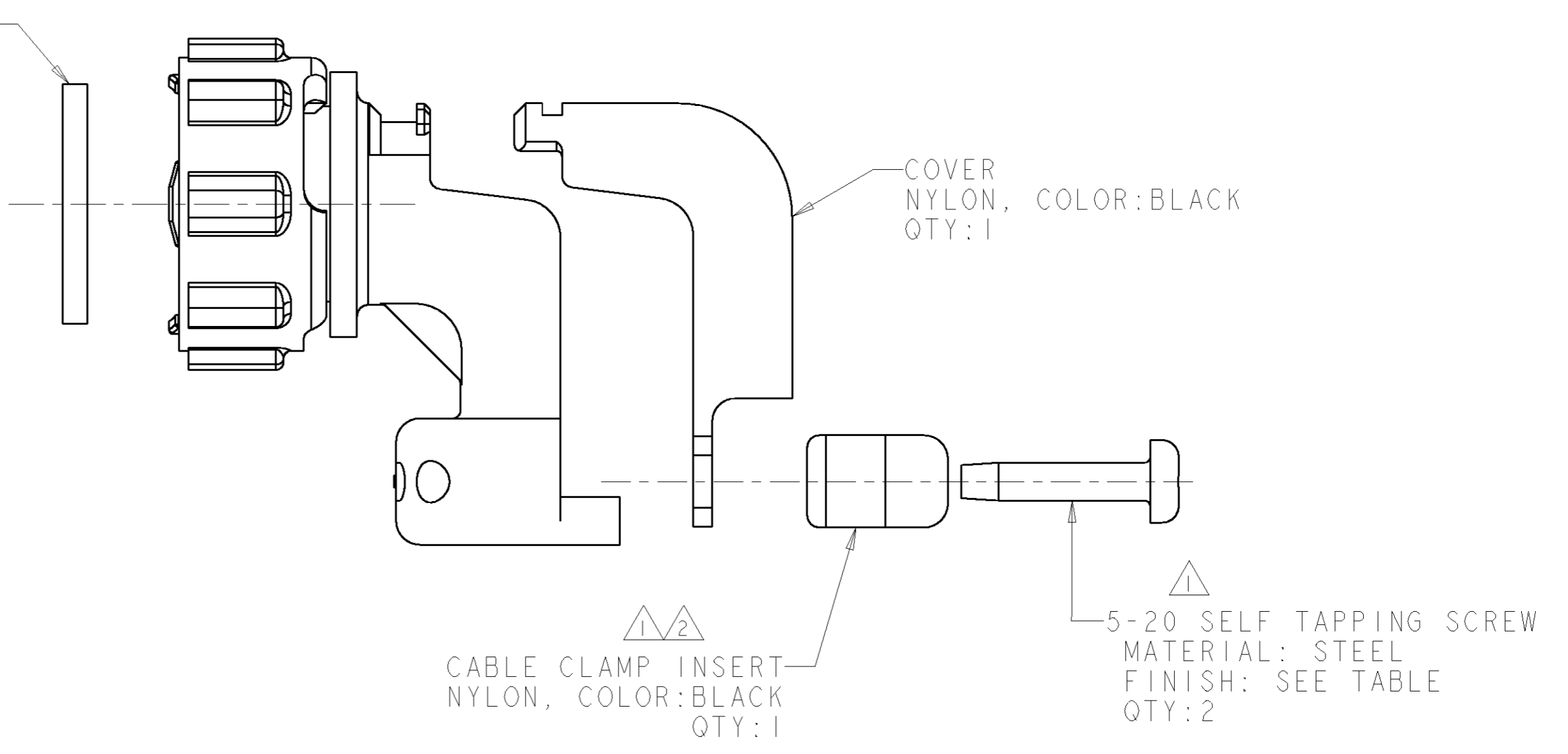
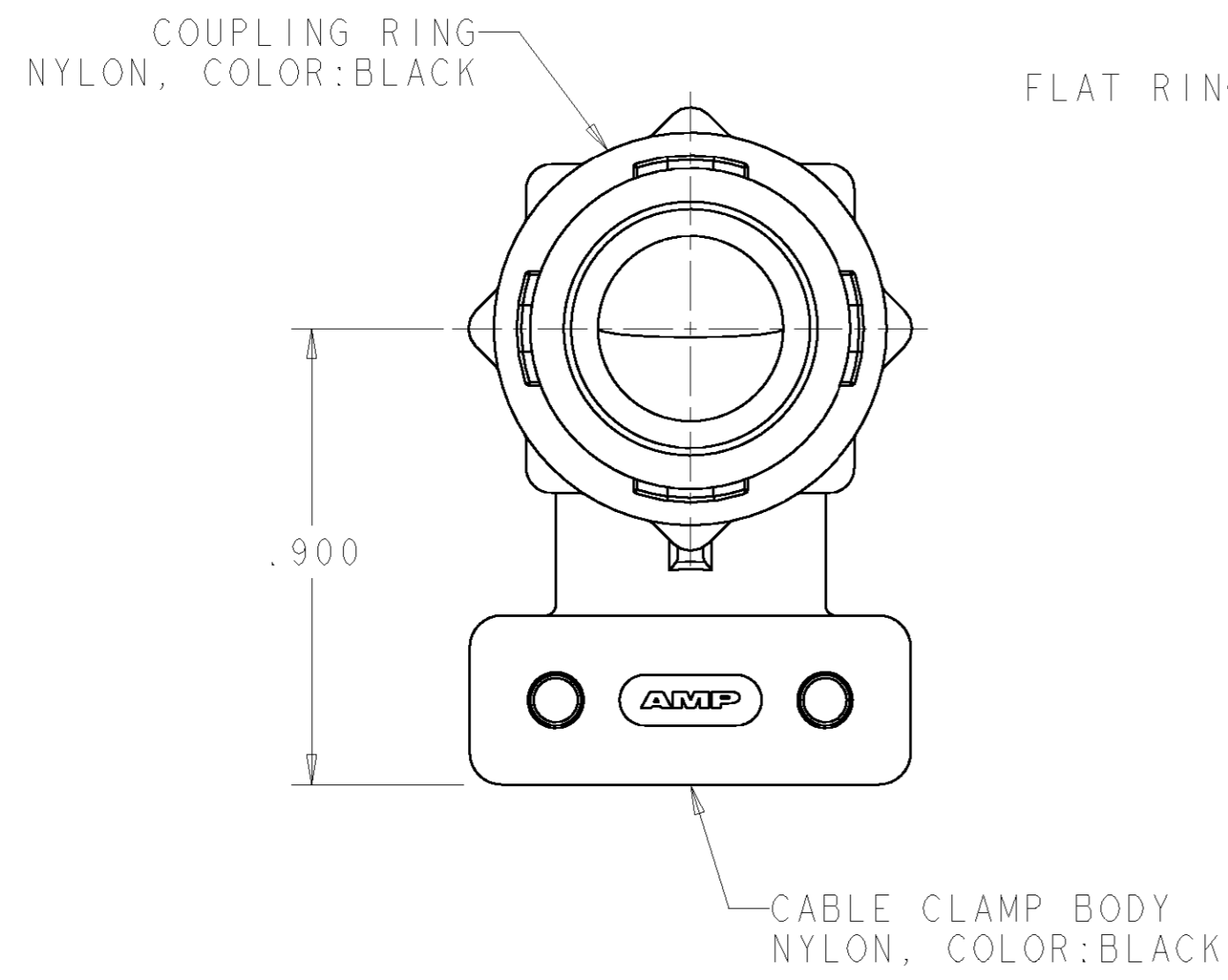
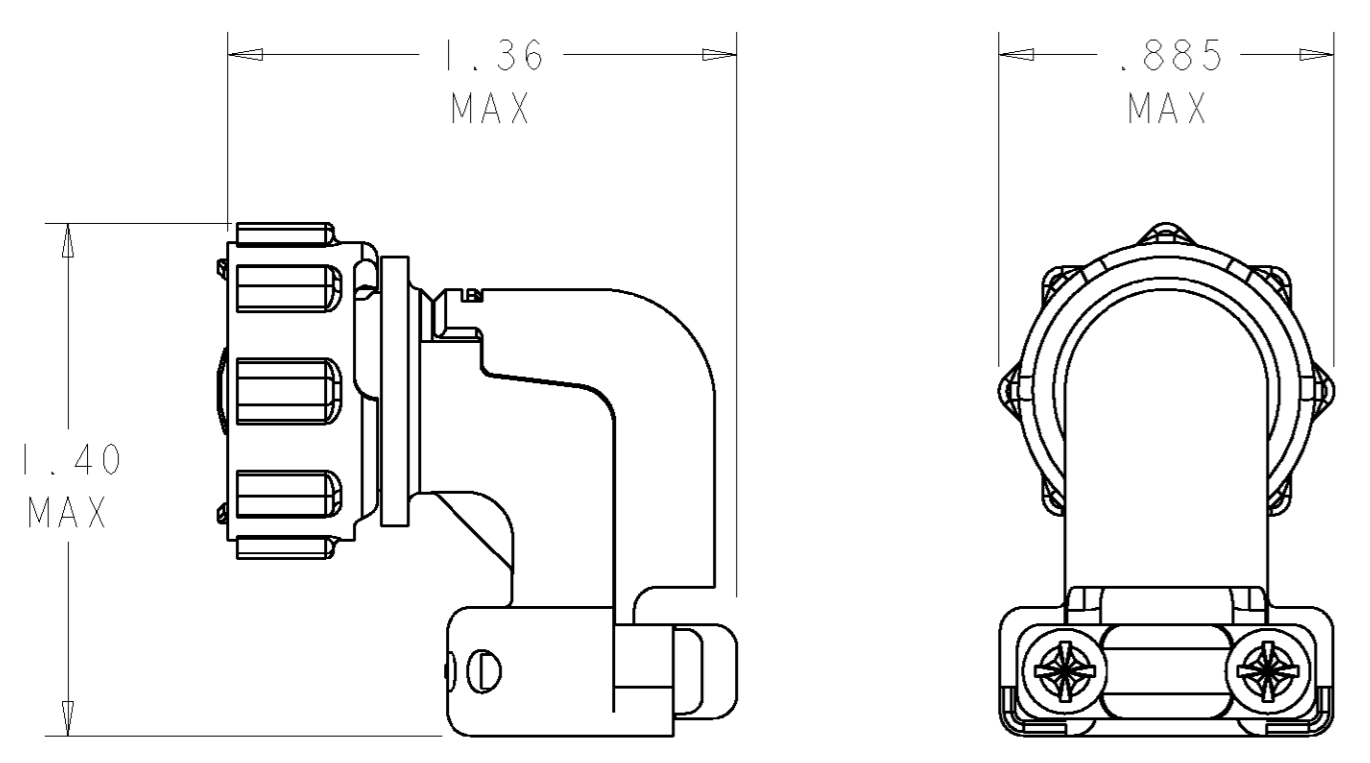


THIS DRAWING IS UNPUBLISHED. RELEASED FOR PUBLICATION  
 © COPYRIGHT 19 BY TYCO ELECTRONICS CORPORATION. ALL RIGHTS RESERVED.

LOC	DIST	REVISIONS			
P	LTR	DESCRIPTION	DATE	DWN	APVD
FT	0				
	0	RELEASED	-	-	-
	01	ADDED -2, ECO-06-003414	24FEB2006	SW	SH



- ⚠ SELF TAPPING SCREWS AND CABLE CLAMP INSERTS PACKAGED UNASSEMBLED.
- ⚠ CLAMPING AREA ADJUSTABLE TO .329 O.D. MAX CABLE. CABLE CLAMP INSERTS CAN BE ADJUSTED BY INVERTING OR CHANGING CABLE CLAMP INSERT.



ASSEMBLED VIEW  
SCALE 2:1

ZINC PLATED NON-HEXAVALENT CHROMATE	1546347-2
ZINC PLATED HEXAVALENT CHROMATE	1546347-1
SCREW FINISH	PART NUMBER

THIS DRAWING IS A CONTROLLED DOCUMENT FOR TYCO ELECTRONICS CORPORATION IT IS SUBJECT TO CHANGE AND THE CONTROLLING ENGINEERING ORGANIZATION SHOULD BE CONTACTED FOR THE LATEST REVISION.		DWN S. WELDON 12AUG2002	AMP Incorporated Harrisburg, PA 17105-3608	
DIMENSIONS: INCHES		CHK S. HEADER 12AUG2002	NAME CABLE CLAMP KIT, UNASSEMBLED, R/A, W/COVER, SIZE 11, CPC	
TOLERANCES UNLESS OTHERWISE SPECIFIED:		APVD S. HEADER 12AUG2002		
0 PLC ±		PRODUCT SPEC	SIZE	
1 PLC ±		APPLICATION SPEC	CAGE CODE	
2 PLC ±		WEIGHT	DRAWING NO	
3 PLC ±0.005		CUSTOMER DRAWING	RESTRICTED TO	
4 PLC ±			SCALE	
ANGLES ±			SHEET	
FINISH			OF	
			REV	